

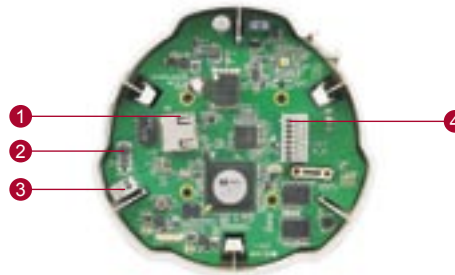


# TCM-3001

## H.264 IP Fixed Dome Camera

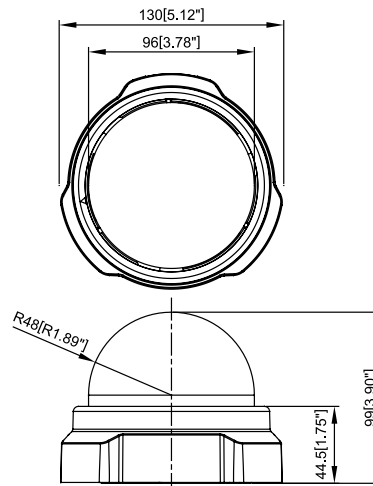


- 1/3" Micron Progressive Scan CMOS
- Integrated f4.2mm / F1.8 fixed lens
- 0.5 Lux at F1.0
- Interchangeable Lenses Available
- H.264 / MPEG-4 SP / MJPEG triple codec with two simultaneous streams
- VGA resolution at 30 FPS
- Wide Dynamic Range function supported
- Shutter Speed, White Balance, Exposure, Gain Controls supported
- Two-way audio supported
- Hardware motion detection, Digital Input / Output
- DC 12V or Power over Ethernet (IEEE 802.3af) supported
- Surface / Pendant / Wall / Corner / Pole / Flush mount supported



- ① Ethernet Port
- ② Reset Button
- ③ DC 12V Power Input
- ④ Audio & Digital Input / Output

### DIMENSION DIAGRAM



Unit: mm [inch]

**PRODUCT SPECIFICATION**

		TCM-3001
Image	Device	Micron Progressive Scan CMOS
	Size	1/3 inch
Min. Scene Illumination	Effective Pixels	640 (H) x 480(V)
	Color	0.5 Lux at F1.0 (2400 °K, 30IRE)
Lens	B/W	N/A
	IR Sensitivity	N/A
	CDS Sensor	N/A
Camera Angle Adjustment	Focal Length	f4.2 mm / F1.8
	Viewing Angle	64.7° (Horizontal)
Synchronization Day/Night Functions	X (Panning)	0° ~170°
	Y (Tilting)	0° ~180°
Functions	Sync. System	Internal
	Mechanical IR Cut Filter	N/A
S/N Ratio	Motion Detection	Yes (3 Windows)
	Electronic Shutter	1/5 ~ 1/15,000 sec
	Fixed Shutter (Manual)	1/30 ~ 1/1,000 sec. (60Hz); 1/25 ~ 1/1,000 sec. (50Hz)
	Flickerless	1/120 sec. (60Hz); 1/100 sec. (50Hz)
	AGC	Automatic (User defined)
Video Compression	White Balance	AUTO, INDOOR1, INDOOR2, OUTDOOR1, OUTDOOR2, HOLD CURRENT, MANUAL
	Wide Dynamic Range	Yes
Audio Input	S/N Ratio	Better than 44 dB
	Compression	H.264/ MPEG-4 SP/ MJPEG simultaneous dual streams selectable
Audio Output	Picture Resolution	VGA (640x480); QVGA (320 x 240); QQVGA (160 x112)
	Bit Rate	28K ~ 6M bps
Alarm	Image Frame Rate	30 fps at VGA resolution
	Compression	8kHz, Mono, PCM
External I/O	Audio Line Input	Unbalanced, 1.4Vp-p, 1Vrms, terminal block
	Compression	8kHz, Mono, PCM
Casing	Audio Line Output	Unbalanced, 1.4Vp-p, 1Vrms, terminal block
	Digital Input	1, TTL, terminal block
Network	Digital Output	1, TTL, terminal block
	Reset Button	Factory default
Software	LED	System status
	Mount Types	Surface / Pendant* / Wall* / Corner* / Pole* / Flush*
Operating	Ethernet Port	Ethernet (10/100 Base-T), RJ-45 connector
	Protocol	TCP, UDP, HTTP, HTTPS, DHCP, PPPoE, RTP, RTSP, IPv6, DNS, DDNS, NTP, ICMP, ARP, IGMP, SMTP, FTP, UPnP
Power	Web Browser	Microsoft Internet Explorer 6.0 or above
	SDK	ACTI SDK-10000
Physical	Security	Password protection: configured by the administrator
	Temperature	-10 °C ~ 50 °C (14 °F ~ 122 °F)
Approvals	Power Requirement	PoE (IEEE802.3af) with Class 3
	Power Consumption	4.8 W (DC 12 V); 6.72 W (PoE)
	Dimensions (ØxH)	130 mm x 99 mm (5.12" x 3.90")
	Weight	350 g (0.7 lb)
	Certificate	CE, FCC

**ACCESSORY OPTIONS**

Lens	Dome Cover	Mount Kit	Mount Configuration*
<ul style="list-style-type: none"> <li>f2.4mm F2.0, CS mount, Format 1/3"</li> </ul>	<ul style="list-style-type: none"> <li>PLEN-0112</li> <li>Transparent Cover PDCX-0002</li> <li>Smoke Cover PDCX-0101</li> </ul>	<ul style="list-style-type: none"> <li>Mount Kit PMAX-0101</li> <li>L Type Wall Mount Kit PMAX-0308</li> <li>Flush Mount Kit PMAX-1006</li> <li>Gang Box Converter PMAX-0801</li> </ul>	<ul style="list-style-type: none"> <li>Pendant Mount</li> <li>Wall Mount</li> <li>Corner Mount</li> <li>Pole Mount</li> <li>Flush Mount</li> </ul>

\*Sold separately. Please refer to detailed mounting configuration table in the accessory section or Project Planner on ACTi.com

\* All specifications are subject to change without notice.  
 \* All brand names and registered trademarks are the property of their respective owners.