



TCM-7011

H.264 IP Rugged Dome Camera

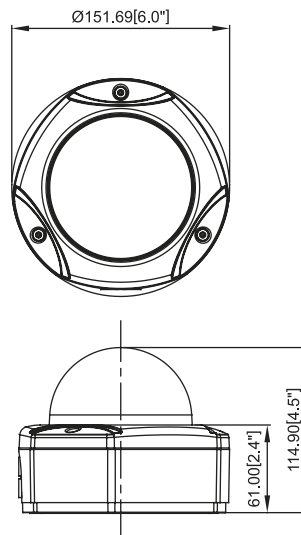


- 1/3" Micron Progressive Scan CMOS
- Day and night function with Mechanical IR Cut Filter
- Integrated f3.3 ~ 12 mm / F1.6 varifocal lens
- 0.05 Lux at F1.0
- H.264 / MPEG-4 SP / MJPEG triple codec with two simultaneous streams
- VGA resolution at 30 FPS
- Wide Dynamic Range function supported
- Shutter Speed, White Balance, Exposure, Gain Controls supported
- Two-way audio supported
- Hardware motion detection, Digital Input / Output
- DC 12V or Power over Ethernet (IEEE 802.3af) supported
- Heavy-duty, weatherproof and vandal proof with IP66 protection
- Surface / Pendant / Wall / Corner / Pole / Flush mount supported

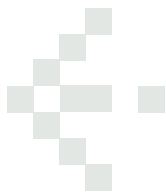


- ① Ethernet Port
- ② DC 12V Power Input
- ③ Reset Button
- ④ Audio & Digital Input / Output

DIMENSION DIAGRAM



Unit: mm [inch]



PRODUCT SPECIFICATION

		TCM-7011
Image	Device	Micron Progressive Scan CMOS
	Size	1/3 inch
	Effective Pixels	640 (H) x 480(V)
Min. Scene Illumination	Color	Color mode automatically switched to B/W mode under 4 Lux
	B/W	0.05 Lux at F1.0 (2400 °K, 30 IRE)
	IR Sensitivity	from 700 nm to 1100 nm
Lens	CDS Sensor	Yes
	Focal Length	f3.3 ~ 12 mm / F1.6
Camera Angle Adjustment	Viewing Angle	78.4° ~ 23.1° (Horizontal)
	X (Panning)	0° ~360°
	Y (Tilting)	0° ~180°
Synchronization	Z (Rotating)	0° ~360°
	Sync. System	Internal
Day/Night Functions	Mechanical IR Cut Filter	Yes
	Motion Detection	Yes (3 Windows)
Functions	Electronic Shutter	1/5 ~ 1/15,000 sec
	Fixed Shutter (Manual)	1/30 ~ 1/1,000 sec. (60Hz); 1/25 ~ 1/1,000 sec. (50Hz)
	Flickerless	1/120 sec. (60Hz); 1/100 sec. (50Hz)
	AGC	Automatic (User defined)
	White Balance	AUTO, INDOOR1, INDOOR2, OUTDOOR1, OUTDOOR2, HOLD CURRENT, MANUAL
	Wide Dynamic Range	Yes
S/N Ratio	S/N Ratio	Better than 44 dB
Video Compression	Compression	H.264 / MPEG-4 SP / MJPEG simultaneous dual streams selectable
	Picture Resolution	VGA (640x480); QVGA (320 x 240); QQVGA (160 x 112)
	Bit Rate	28K ~ 6M bps
	Image Frame Rate	30 fps at VGA resolution
Audio Input	Compression	8kHz, Mono, PCM
	Audio Line Input	Unbalanced, 1.4Vp-p, 1Vrms, terminal block
Audio Output	Compression	8kHz, Mono, PCM
	Audio Line Output	Unbalanced, 1.4Vp-p, 1Vrms, terminal block
Alarm	Digital Input	1, TTL, terminal block
	Digital Output	1, TTL, terminal block
External I/O	Reset Button	Factory default
	LED	System status
Casing	IP66 Rated	Weatherproof casing with IP66 standard
	Vandal Proof	Durability up to 659.23 KgF
	Mount Types	Surface / Pendant* / Wall* / Corner* / Pole* / Flush*
Network	Ethernet Port	Ethernet (10/100 Base-T), RJ-45 Connector
	Protocol	TCP, UDP, HTTP, HTTPS, DHCP, PPPoE, RTP, RTSP, IPv6 , DNS, DDNS, NTP, ICMP, ARP, IGMP, SMTP, FTP, UPnP
Software	Web Browser	Microsoft Internet Explorer 6.0 or above
	SDK	ACTi SDK-10000
	Security	Password protection: configured by the administrator
Operating	Heater / Fan	Yes (built-in)
	Temperature	-30 °C ~ 50 °C (-22 °F ~ 122 °F) for DC 12V; -5 °C ~ 50 °C (7 °F ~ 122 °F) for PoE
Power	Power Requirement	PoE (IEEE802.3af) with Class 3
	Power Consumption	4.8 W (DC 12V) w/o Heater & Fan
		13.68 W (DC 12V) w/ Heater ON & Fan ON
Physical	6.24 W (PoE) w/o Heater & Fan	
	7.68 W (PoE) w/ Fan ON**	
Approvals	Dimensions (ØxH)	151.69 mm x 114.9 mm (6.0" x 4.5")
	Weight	1040 g (2.29 lb)
	Certificate	CE, FCC, IP66

ACCESSORY OPTIONS

Dome Cover	Mount Kit	Mount Configuration*
• Smoke Cover PDCX-1101	• Mount Kit PMAX-0101 • L Type Wall Mount Kit PMAX-0308 • Flush Mount Kit PMAX-1003	• Pendant Mount • Wall Mount • Corner Mount • Pole Mount • Flush Mount

*Sold separately. Please refer to detailed mounting configuration table in the accessory section or Project Planner on ACTi.com

** PoE cannot support Heater

* All specifications are subject to change without notice.
* All brand names and registered trademarks are the property of their respective owners.