

CP-BY54C

True Day / Night Box High Resolution

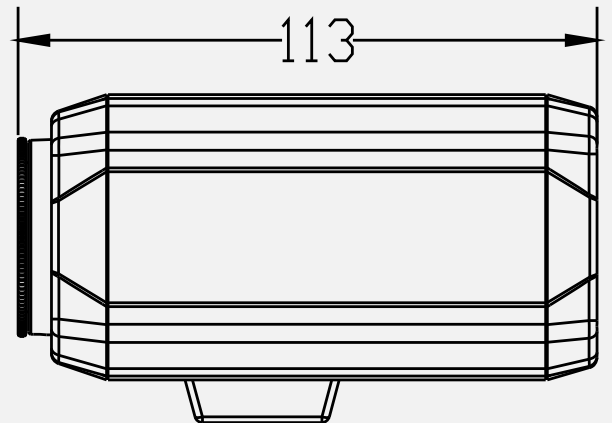
CP PLUS
enhancing vision



Top Selling Points

- 1/3' Inch Sony Super HAD II CCD
- High Resolution 540TVL
- True Day / Night with IRC
- Simple to use DIP switch
- BLC Control
- DC & Video Iris

Dimensions



SPECIFICATION

Image Sensor	ICX409AK/ICX408AK+CXD3172AR
Effective Pixels	PAL: 752(H) x 582(V) ; NTSC: 768(H) x 494(V)
Sync System	Internal
H-Resolution	540TVL
S/N Ratio	more than 50dB
Min. Illumination	0.1Lux/F1.2 / 0.008Lux/F1.2 (0Lux with Led)
IR LED	n/a
Control	DIP Switches on rear panel
White Balance	ATW
C.Video Output	CVBS 1.0Vp-p / 75Ω
Input Voltage	12v DC
Current	3W (Max)
Operating Temperature	-20°C - +50°C
Lens	User installed CS / C mount
IRIS Control	DC / Video
Physical	
Weight	500g
Size	121 x 62 x 60 (WxDxH mm)

Outline View

