

Color Box Camera VCC-320P



General

VCC-320P is a 1/3" Super HAD CCD camera with high resolution monitoring function. This camera features its automatic white balance, automatic gain, backlight compensation and anti-flicker, etc.

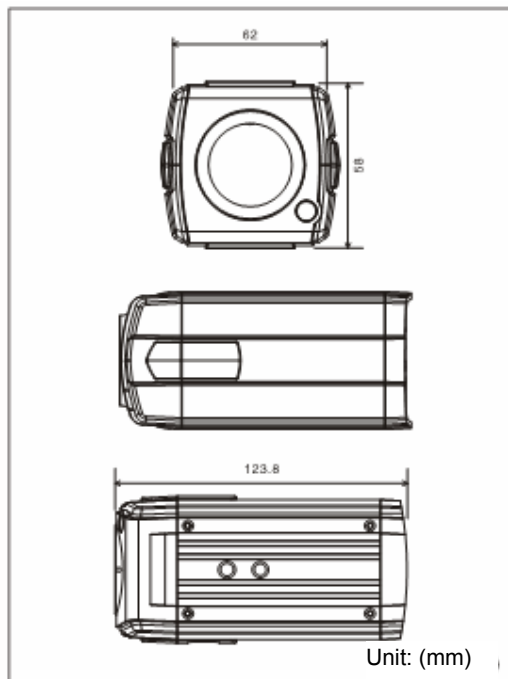
Features

- 1/3 Sony Super HAD CCD
- 480 TV lines of Horizontal Resolution
- Automatic white balance, automatic gain, backlight compensation, flickerless (On/Off)
- Minimum illumination: 0.3 Lux (color)
- 24VAC/12VDC power

Specifications

Model	VCC-320P
Scanning System	PAL
Scanning Mode	2:1 interlace
Scanning Frequency (H)	15.625kHz
Scanning Frequency (V)	50Hz
Sync. System	Internal Sync.
Image Sensors	1/3 SONY Super HAD CCD
Total Pixels	795 (H) × 596 (V) × 470 (K)
Effective Pixels	752 (V) × 582 (V) × 440 (K)
S/N Ratio	More than 48dB (AGC Off)
Horizontal Resolution	480 TV lines
Video Output	Composite (1.0Vp-p), 75Ω
Lens Mount	C/CS
Iris	Video, DC, electronic iris
Electronic Shutter	1/50~1/100,000 seconds
Minimum Illumination	0.3Lux (color)
Camera Control	DIP switch, slide switch
White Balance	Automatic
Function Switch	Automatic gain, backlight compensation, flickerless (On/Off)
Operating Voltage	DC12V (DC9V~15V) / 74VAC (20V~78V)
Dimensions	62 (W) × 58.6 (H) × 123.8 (D) mm
Weight	App. 430g

Dimensions and Connections



Rear View

